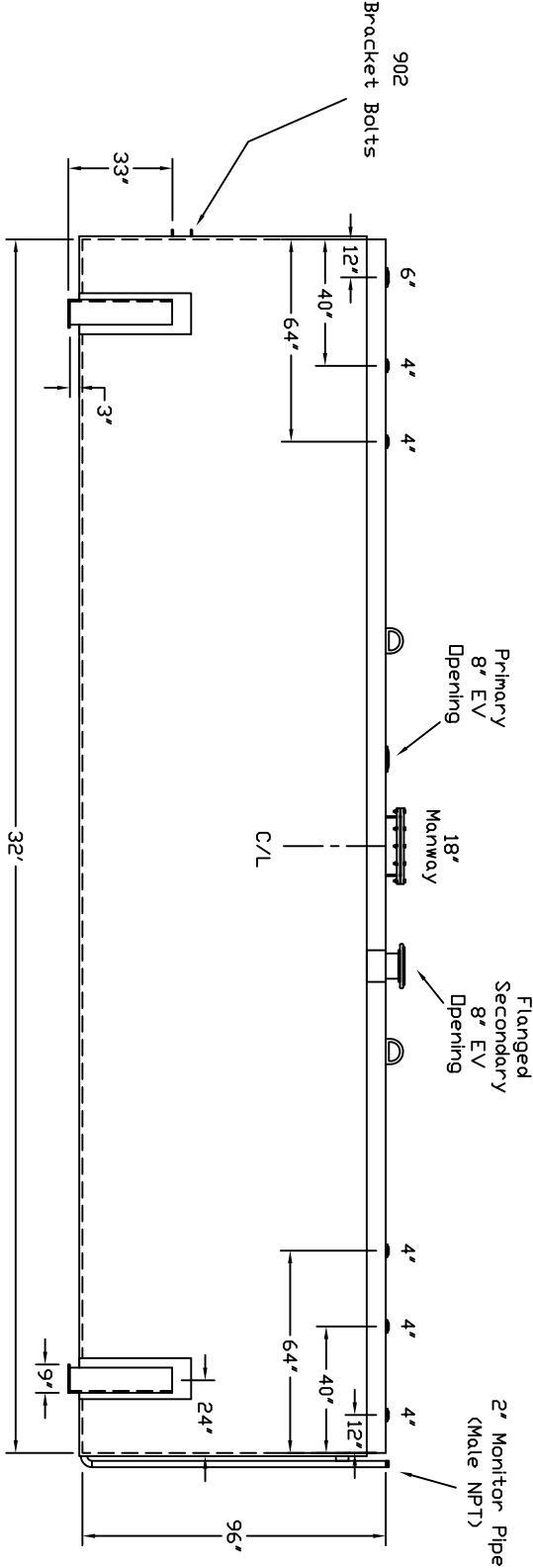
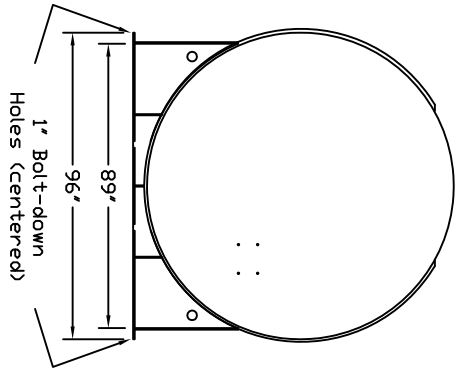


Starwade Metal Products, Inc.
 6868 State Route 305 PD Box 10
 Hartford, Ohio 44424
 Phone: 800-826-5243 Fax: 1-330-772-3307
 www.tankstore.com

Tank For Stationary Use Only

| | | | | | |
|------------|----------------|-----------------|--------------|--------------|-------------|
| Capacity | 12,000 Gallons | Heads | Primary 1/4" | Paint Ext. | Red Primer |
| Design | Double Wall AG | Shell Primary | 1/4" | Paint Int. | |
| Code | UL 142 | Heads Secondary | 1/4" | Weight Empty | 17,050 lbs. |
| Test Pres. | 5 PSI | Shell Secondary | 10 Ga. | Rev.# | Date: |



Customer: _____ Drg. Date: _____ Drawing Approved By: _____

Quoted Lead Times Begin Upon Receipt of signed Approved Drawing, Which Must be Returned Before Production Can Begin.