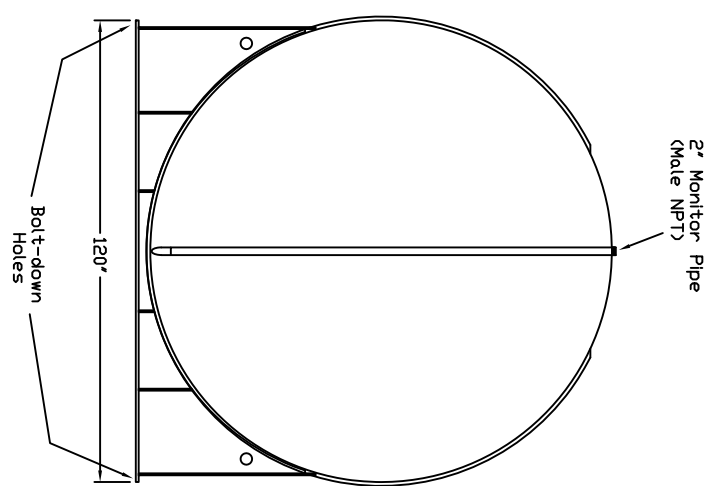
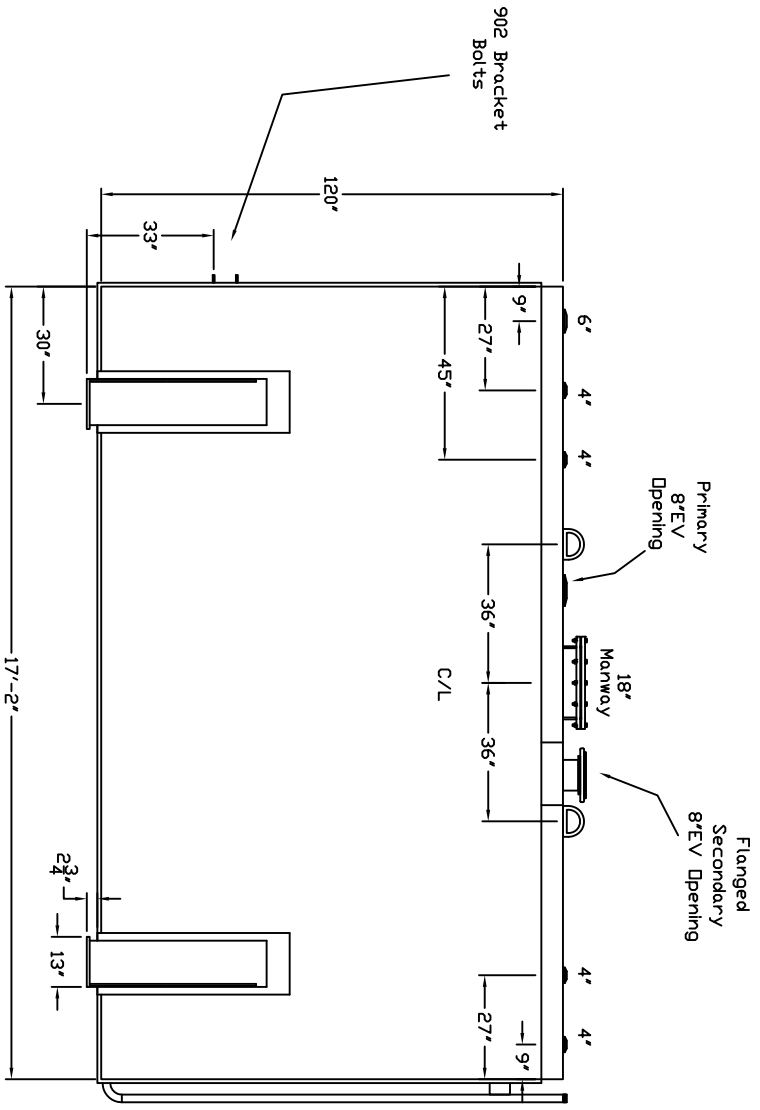


Starwade Metal Products, Inc.
 6868 State Route 305 PD Box 10
 Hartford, Ohio 44424
 Phone: 800-826-5243 Fax: 1-330-772-3307
 www.tankstore.com

Tank is for stationary use only



Capacity	10,000 Gallons	Heads Primary	1/4"	Paint Ext.	White Urethane
Design	Doublewall AG	Shell Primary	1/4"	Paint Int.	
Code	UL 142 Flashesield	Heads Secondary	1/4"	Weight Empty	16,500 lbs.
Test Pres.	5 PSI	Shell Secondary	7 Gauge	Rev.#	Date:



Customer: _____ Dwg. Date: _____
 Quoted Lead Times Begin Upon Receipt of signed Approved Drawing, Which Must be Returned Before Production Can Begin.
 Drawing Approved By: _____