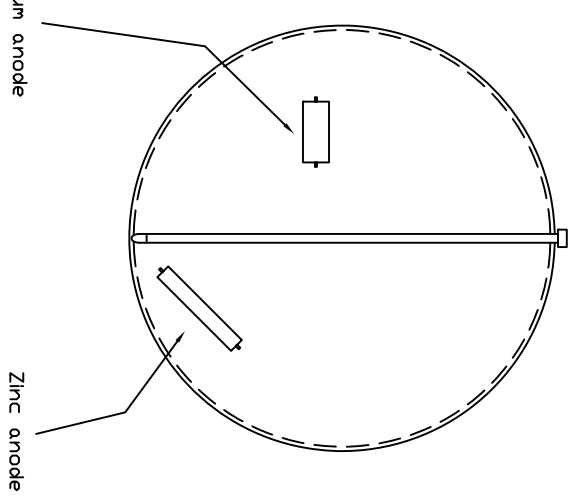
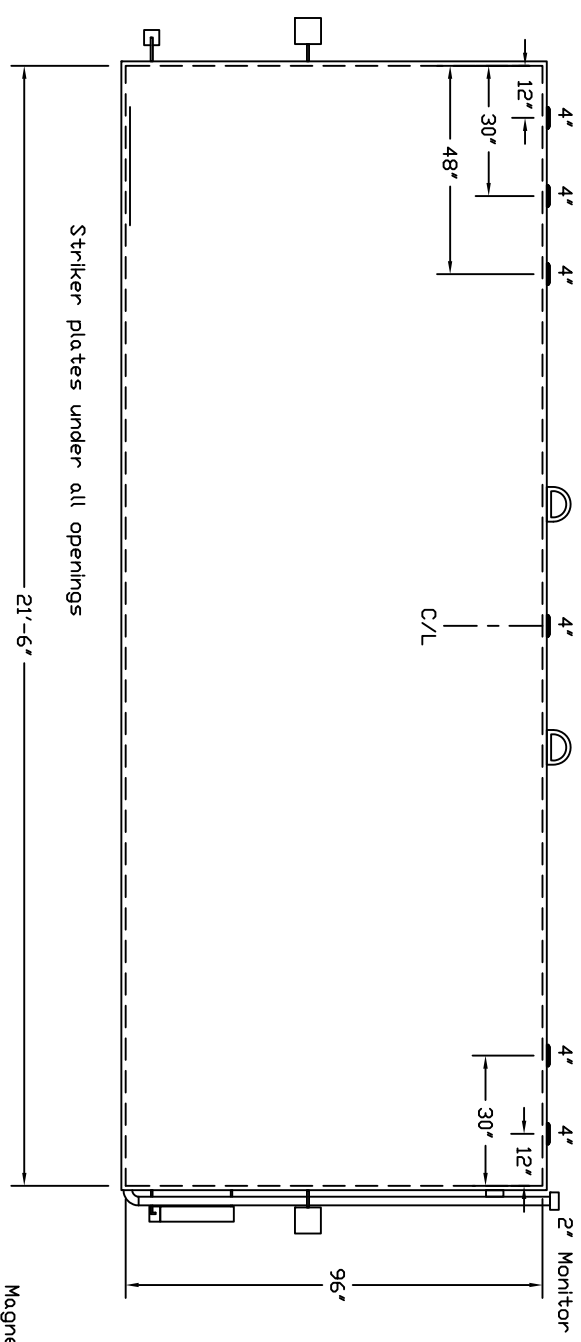


Starnwade Metal Products, Inc.
 6868 State Route 305 PD Box 10
 Hartford, Ohio 44424
 Phone: 800-826-5243 Fax: 1-330-772-3307
 www.tankstore.com



Capacity	8,000 Gallons	Heads	Primary 1/4"	Paint Ext.	70 mils Black Urethane
Design	360 Doublewall UG	Shell Primary	1/4"	Paint Int.	
Code	UL 58 ACT100-U	Heads Secondary	1/4"	Weight Empty	11,900 lbs.
Test Pres.	5 PSI	Shell Secondary	10 Gauge	Rev.#	Date:



Customer: _____ Dwg. Date: _____
 Quoted Lead Times Begin Upon Receipt of signed Approved Drawing, Which Must be Returned Before Production Can Begin.
 Drawing Approved By: _____