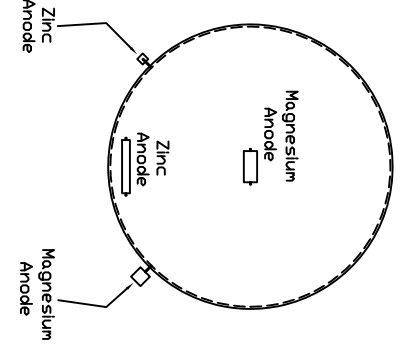
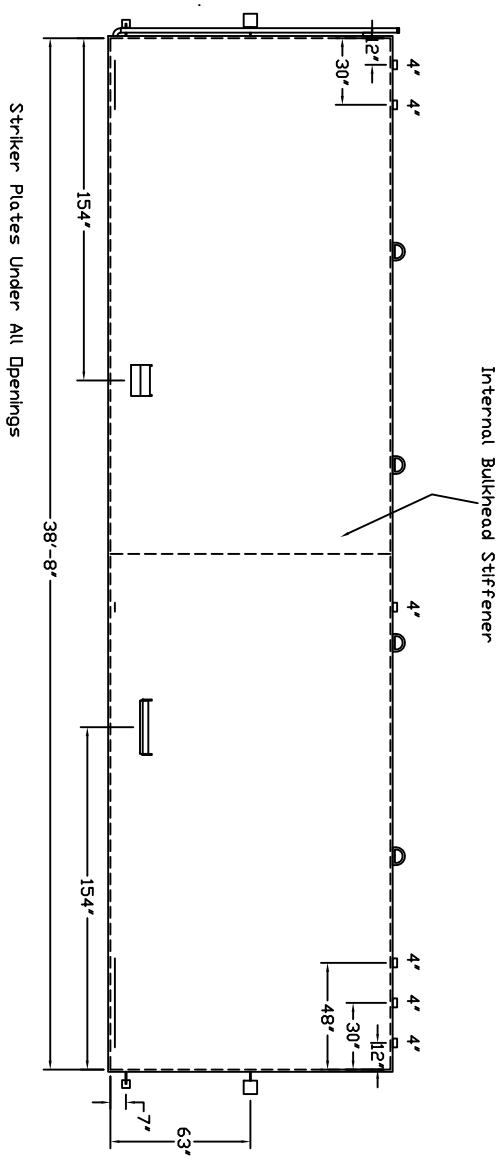
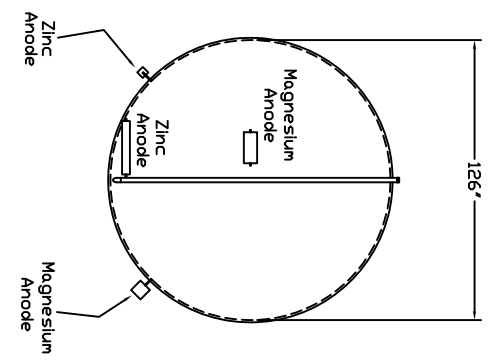


Starwade Metal Products, Inc.
 6868 State Route 305 PD Box 10
 Hartford, Ohio 44424
 Phone: 800-826-5243 Fax: 1-330-772-3307
 www.tankstore.com



Capacity ----- 25,000 Gallons ----- Heads Primary ----- 1/4" ----- Paint Ext. ----- Black Urethane
 Design ----- Doublewall Underground ----- Shell Primary ----- 1/4" ----- Paint Int. -----
 Code ----- UL 58 ACT-100U ----- Heads Secondary ----- 1/4" ----- Weight Empty ----- 32,900 lbs.
 Test Pres. ----- 5 PSI ----- Shell Secondary ----- 7 Gauge ----- Rev.# ----- Date: -----

Eight Total Anodes (4 Zinc, 4 Magnesium)
 45 Degrees = 49-3/4 inches
 90 Degrees = 99-1/2 inches



Customer: ----- Drg. Date: ----- Drawing Approved By: -----
 Quoted Lead Times Begin Upon Receipt of signed Approved Drawing, Which Must be Returned Before Production Can Begin.