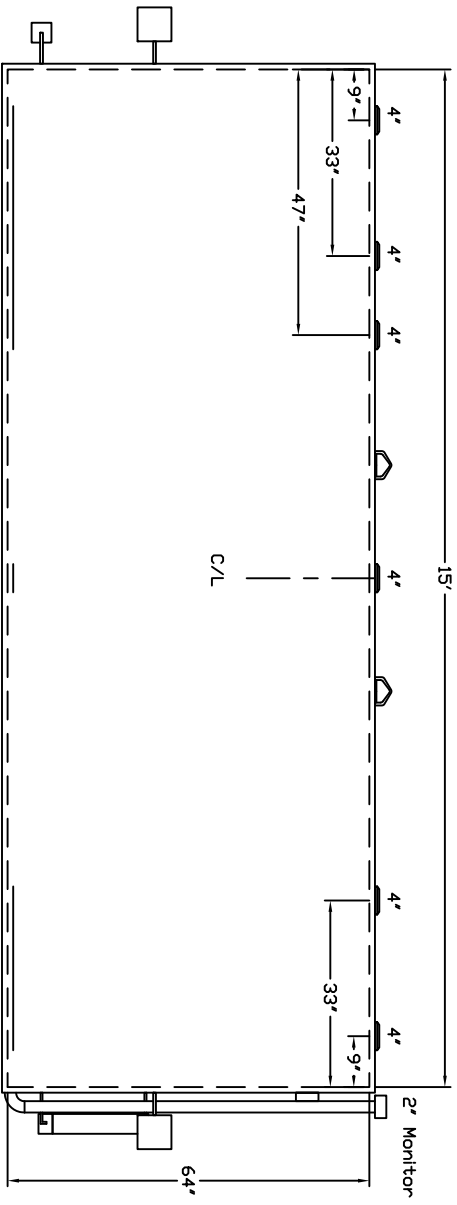


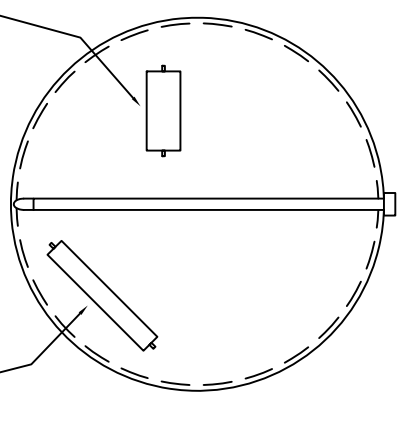
Starwade Metal Products, Inc.
 6868 State Route 305 PD Box 10
 Hart-ford, Ohio 44424
 Phone: 800-826-5243 Fax: 1-330-772-3307
 www.tankstore.com



Capacity	2,500 Gallons	Heads	Primary	7 Gauge	Paint Ext.	70 mils Black Urethane
Design	360 Doublewall UG	Shell Primary	7 Gauge	Paint Int.		
Code	UL 58 ACT100-U	Heads Secondary	7 Gauge	Weight Empty	4,800 lbs.	
Test Pres.	5 PSI	Shell Secondary	10 Gauge	Rev.#		Date:



Striker plates under all openings



Customer: _____ Drg. Date: _____ Drawing Approved By: _____
 Quoted Lead Times Begin Upon Receipt of signed Approved Drawing, Which Must be Returned Before Production Can Begin.