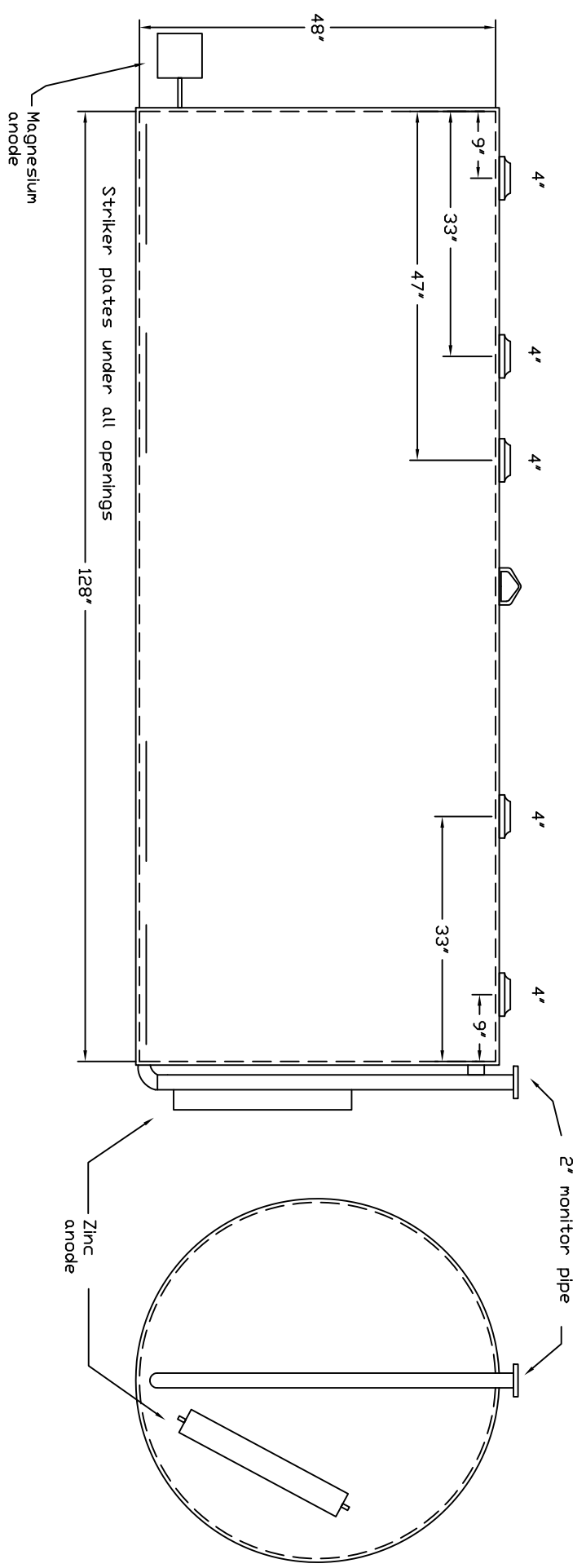


Starwade Metal Products, Inc.  
 6868 State Route 305 PD Box 10  
 Hartford, Ohio 44424  
 Phone: 800-826-5243 Fax: 1-330-772-3307  
 www.tankstore.com



Capacity	1,000 Gallons	Heads Primary	10 Gauge	Paint Ext.	70 mils Black Urethane
Design	360 Doublewall UG	Shell Primary	10 Gauge	Paint Int.	
Code	UL 58 ACT100-U	Heads Secondary	10 Gauge	Weight Empty	2,350 lbs.
Test Pres.	5 PSI	Shell Secondary	10 Gauge	Rev.#	Date:



Customer: \_\_\_\_\_ Drg. Date: \_\_\_\_\_

Quoted Lead Times Begin Upon Receipt of signed Approved Drawing, Which Must be Returned Before Production Can Begin.

Drawing Approved By: \_\_\_\_\_